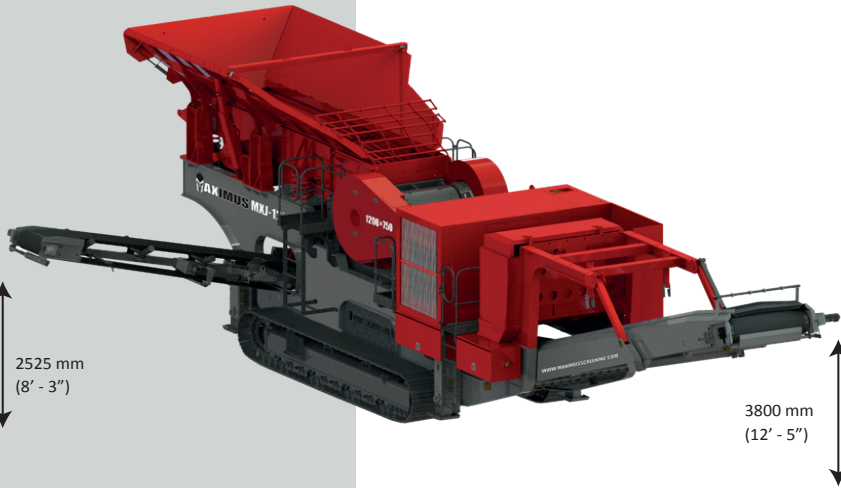


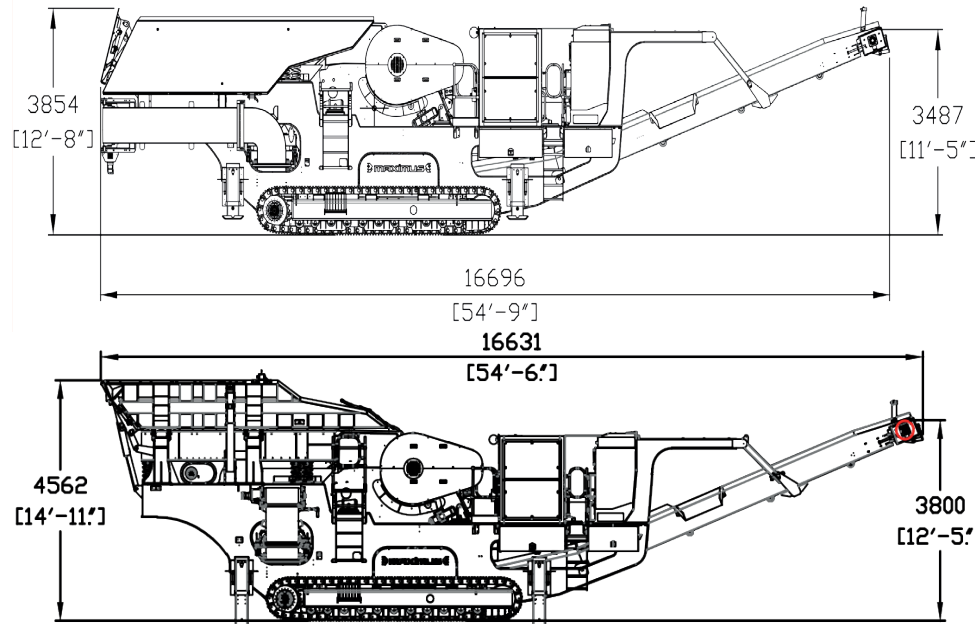
Jaw Crusher Range

1000 | 1100 | 1200

MXJ-1200



Weight	Est 57,500 Kgs (126,765 Lbs)
Tracks	500 mm
Power Unit	CAT C9 Tier III 350 HP
Capacity	Up to 400 TPH
Main Conveyor	1200 mm (48")
Grizzly Feeder	1125 mm (44")
Side Conveyor	650 mm (26")
Max Feed Size	650 mm (26")
Inlet Opening	1200 mm x 750 mm (48" x 30")
C.S.S.	50 - 200 mm (2" - 8")



Transport / Working Dimensions :

Transport

Length	16696 mm (54' - 9")
Height	3854 mm (12' - 8")
Width	3000 mm (9' - 10")

Working

Length	16631 mm (54' - 6")
Height	4562 mm (14' - 11")
Width	6920 mm (22' - 8")